

Manual equipment

CT5/6/10

The CT series of tomato slicers gives a better quality of cut with less effort, this professional tomato slicer allows the tomato to maintain its original shape even after slicing. The tomato slicer is ideal for preparing salads, starters or hamburger garnishes in a safety way.



601157

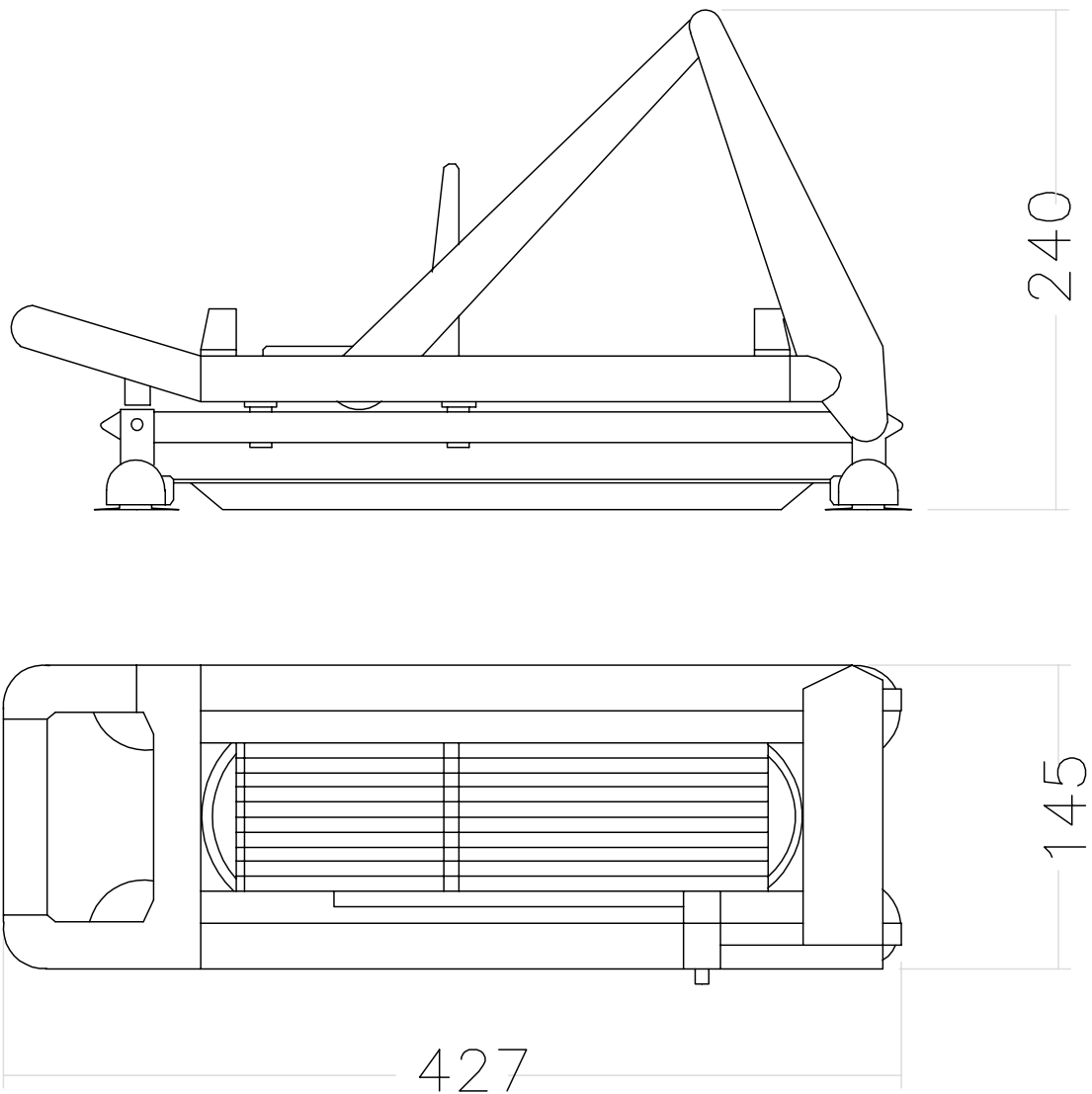
FEATURES

- The tomato is placed on the holder.
- The lever is lowered cleanly and quickly without hesitation.
- The tomato returns with the trolley.
- The sliced tomato can be picked up, still in its original shape.
- Unscrew to remove the holder which slides out of the frame for cleaning under running water along with the rest of the slicer.
- Stainless steel removable holder and cutter block
- Stainless steel blades are easily tensioned.
- Powerful suction cups ensure perfect stability on the work top.



CE **Electrolux**

601157



Manual equipment

CT5/6/10

BADA010

2012-07-26

Subject to change without notice

CT6 601157	
TECHNICAL DATA	
External dimensions - mm	
width	145
depth	427
height	240
Net weight - kg.	3
INCLUDED ACCESSORIES	
CUTTING BLOCK FOR 6MM TOMATO SLICER	1
TOMATO GUIDE FOR 6MM SLICER	1
ACCESSORIES	
CUTTING BLOCK FOR 6MM TOMATO SLICER	653100
TIPPER SUPPORT FOR TOMATO SLICER	653282
TOMATO GUIDE FOR 6MM SLICER	653099